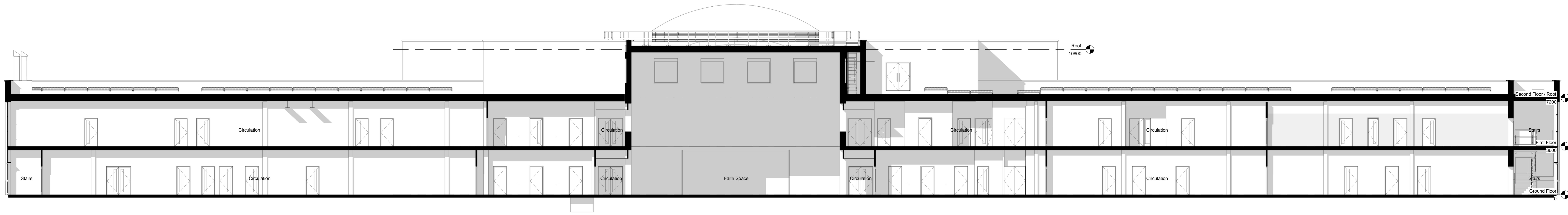
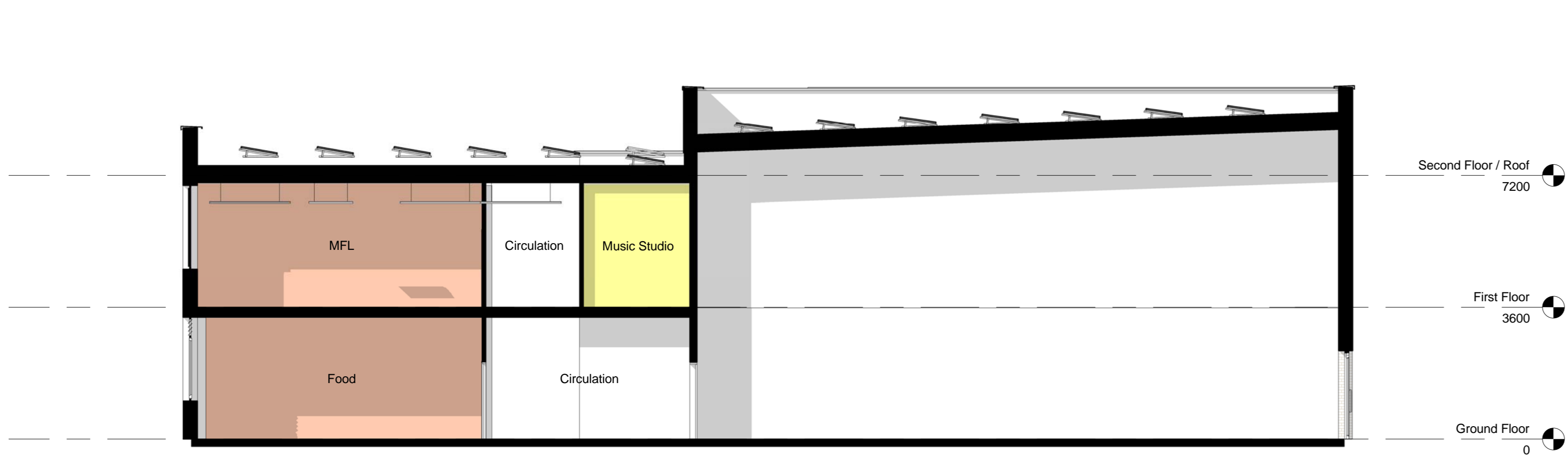


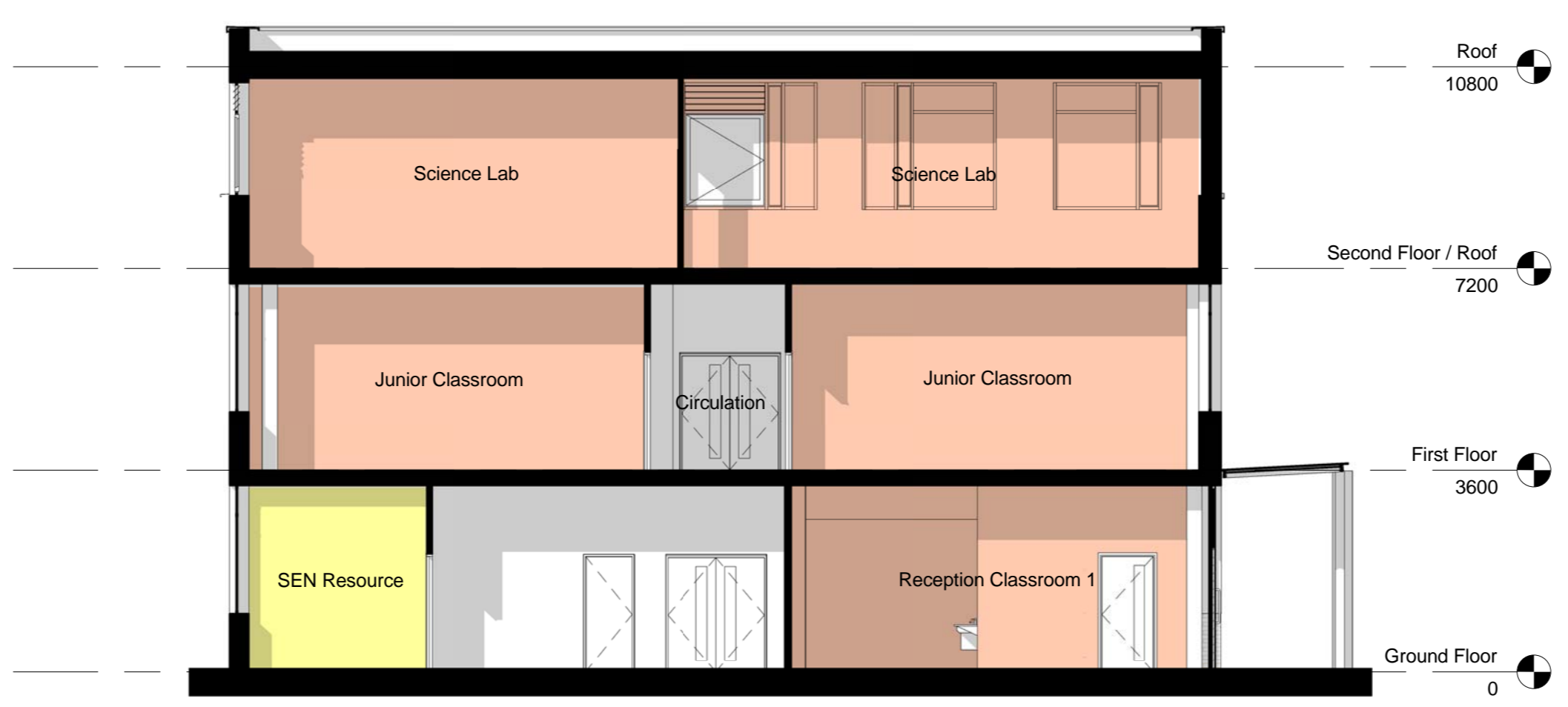
**A** General Arrangement Section A - A  
 1 : 100



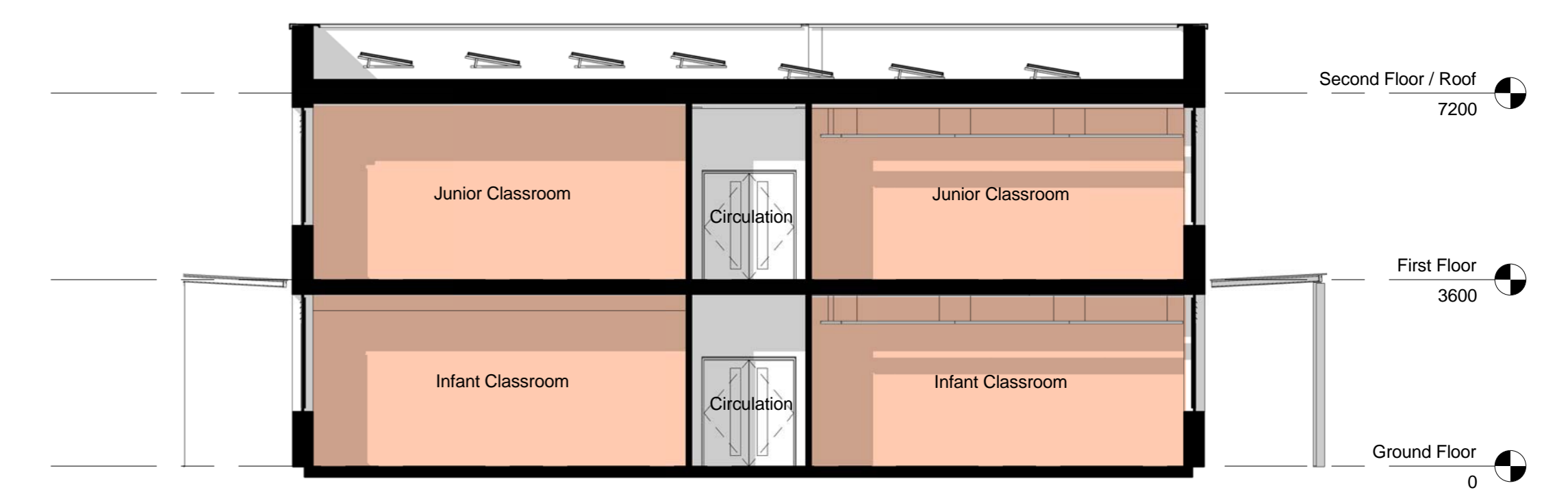
**B** General Arrangement Section B - B  
 1 : 100



**C** General Arrangement Section C - C  
 1 : 100



**D** General Arrangement Section D - D  
 1 : 100

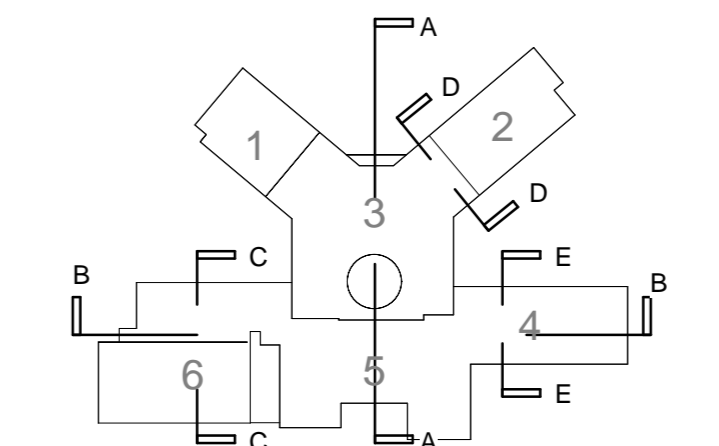


**E** General Arrangement Section E - E  
 1 : 100

**Status Code (as defined in BS1192)**  
 S0 - Initial Status or WIP  
 S1 - Issued for co-ordination  
 S2 - Issued for information  
 S3 - Issued for internal review  
 S4 - Issued for construction approval  
 D1 - Issued for costing  
 D2 - Issued for tender

**Documentation (Pre-construction)**  
 D3 - Issued for contractor design  
 D4 - Issued for manufacturing/procurement

**Documentation (Construction)**  
 A - Issued for construction  
 B - Issued for construction but with comments  
 C - Comprehensive revision required  
 AS - Record Drawing



**bam**  
 BAM Design Ltd  
 2000 The Quadrant  
 London SE1 1NF  
 Tel: 020 7461 1000  
 www.bam.co.uk

Client: Nishkam West London  
 Project: General Arrangement Sections  
 Scale: 1:100 @ A0  
 Date: 05/06/15  
 Drawn: JR  
 Checked: 4467  
 Project No: 13001 A